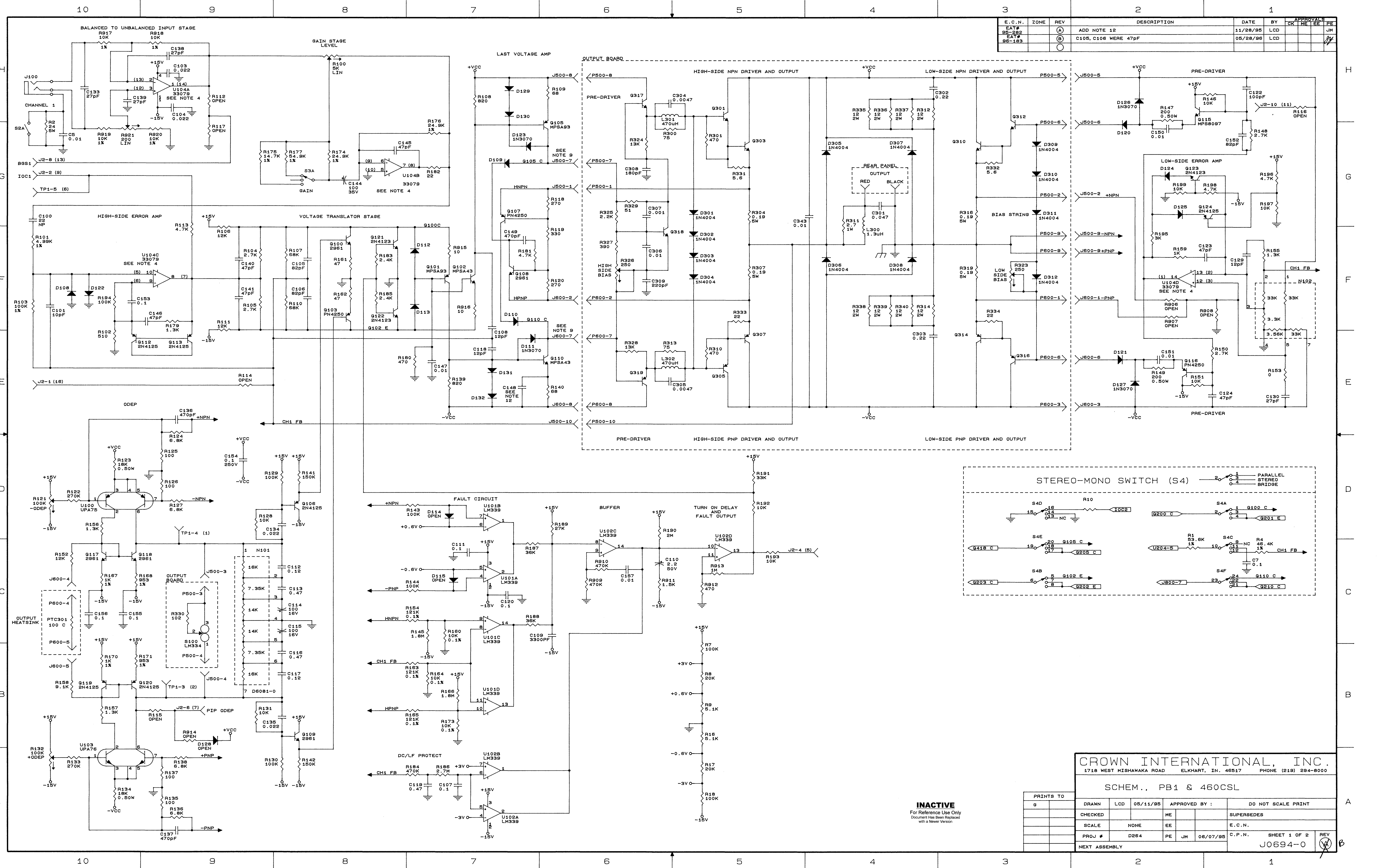


E. C. N.	ZONE	REV	DESCRIPTION	DATE	BY	APPROVALS
EAT# 95-282		(A)	ADD NOTE 12	11/28/95	LCD	CK ME EE JM
EAT# 95-183		(B)	C105, C106 WERE 47pF	05/28/96	LCD	



**INACTIVE**  
For Reference Use Only  
Document Has Been Replaced  
with a Newer Version

**CROWN INTERNATIONAL, INC.**  
1718 WEST MISHAWAKA ROAD ELKHART, IN. 46517 PHONE (219) 294-8000

SCHEM., PB1 & 460CSL

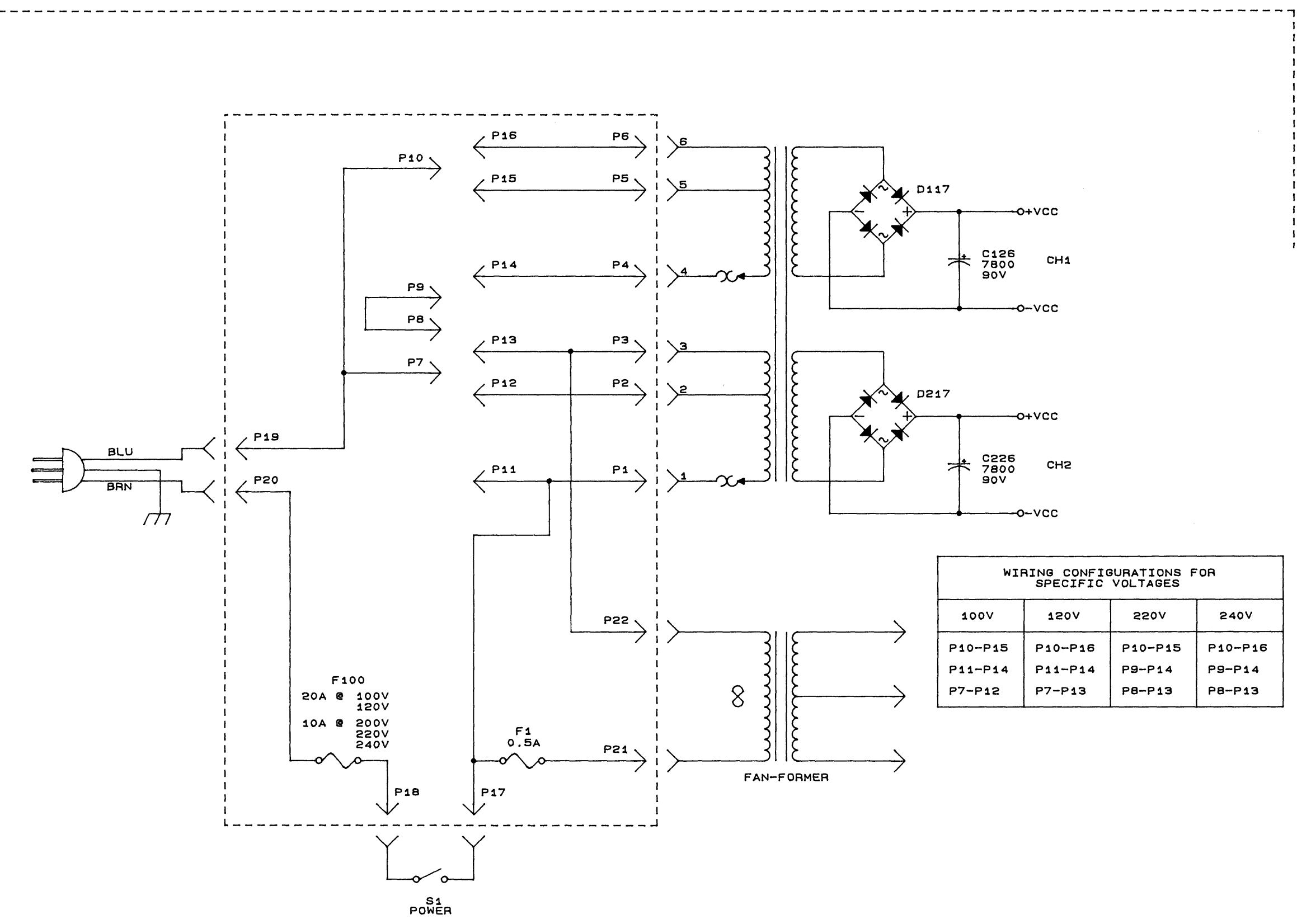
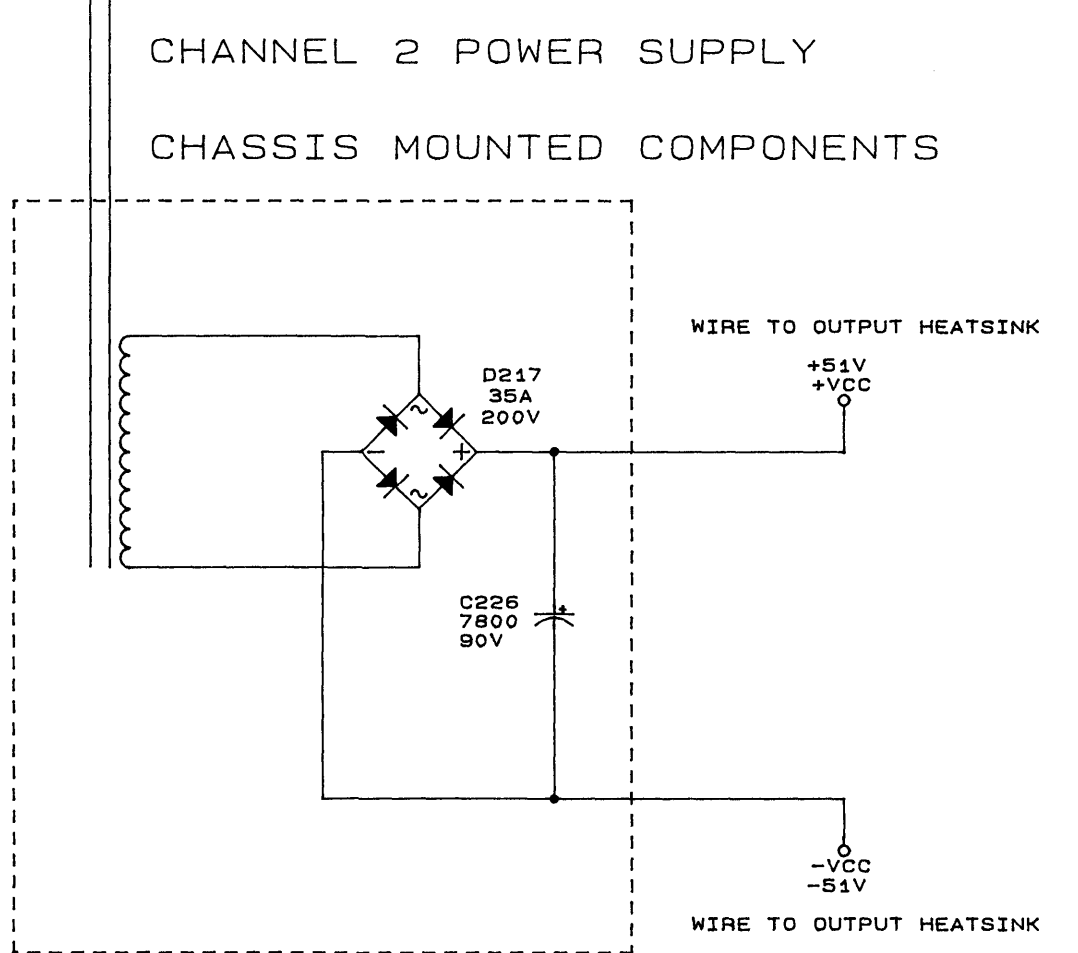
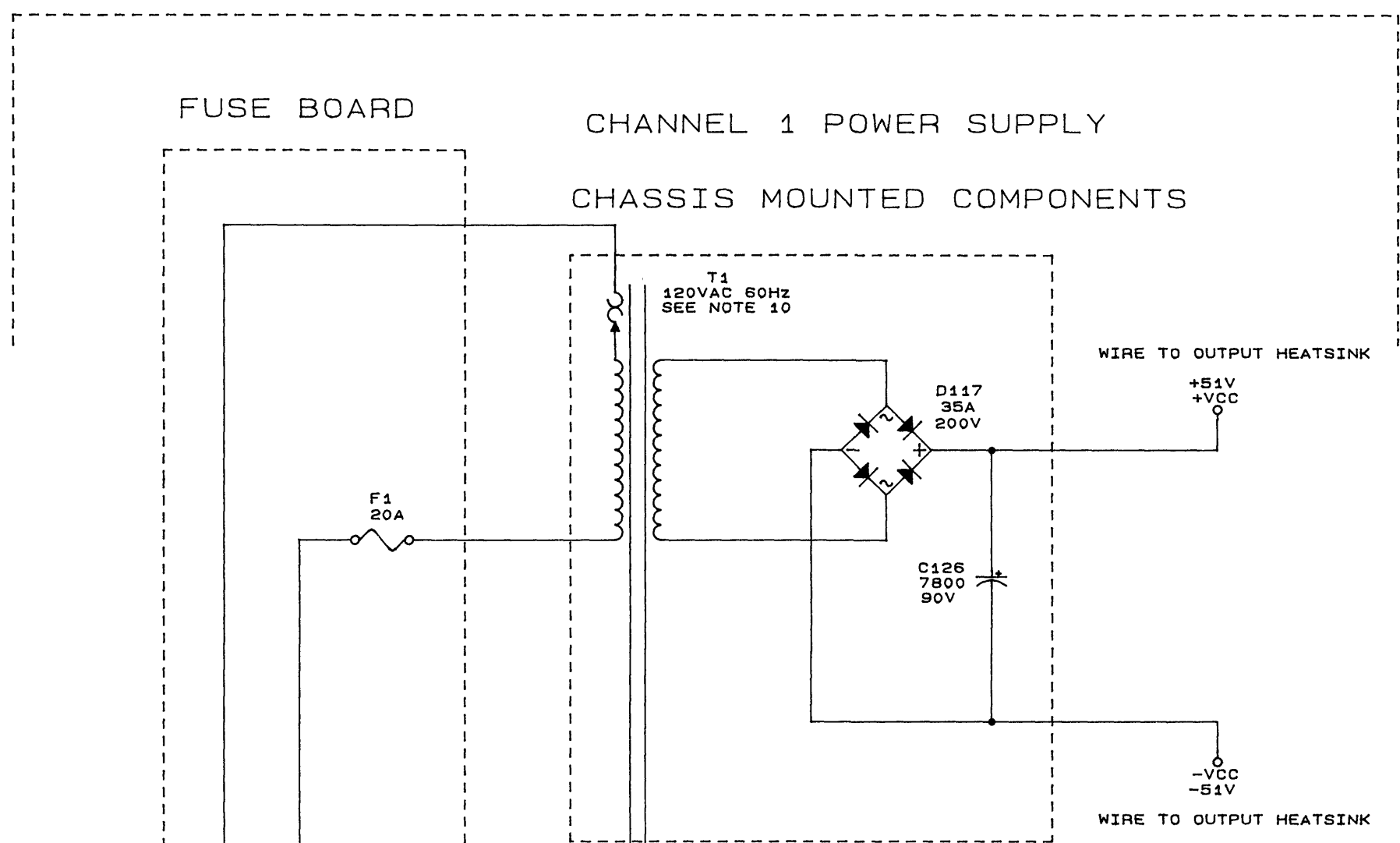
PRINTS TO		DRAWN	LCD	05/11/95	APPROVED BY :	DO NOT SCALE PRINT
G		ME				SUPERSEDES
CHECKED	NONE	EE				E. C. N.
SCALE	NONE	PE	JM	06/07/95	C.P.N.	SHEET 1 OF 2
PROJ #	D264					REV
NEXT ASSEMBLY						J0694-0

120V 60HZ

INTERNATIONAL

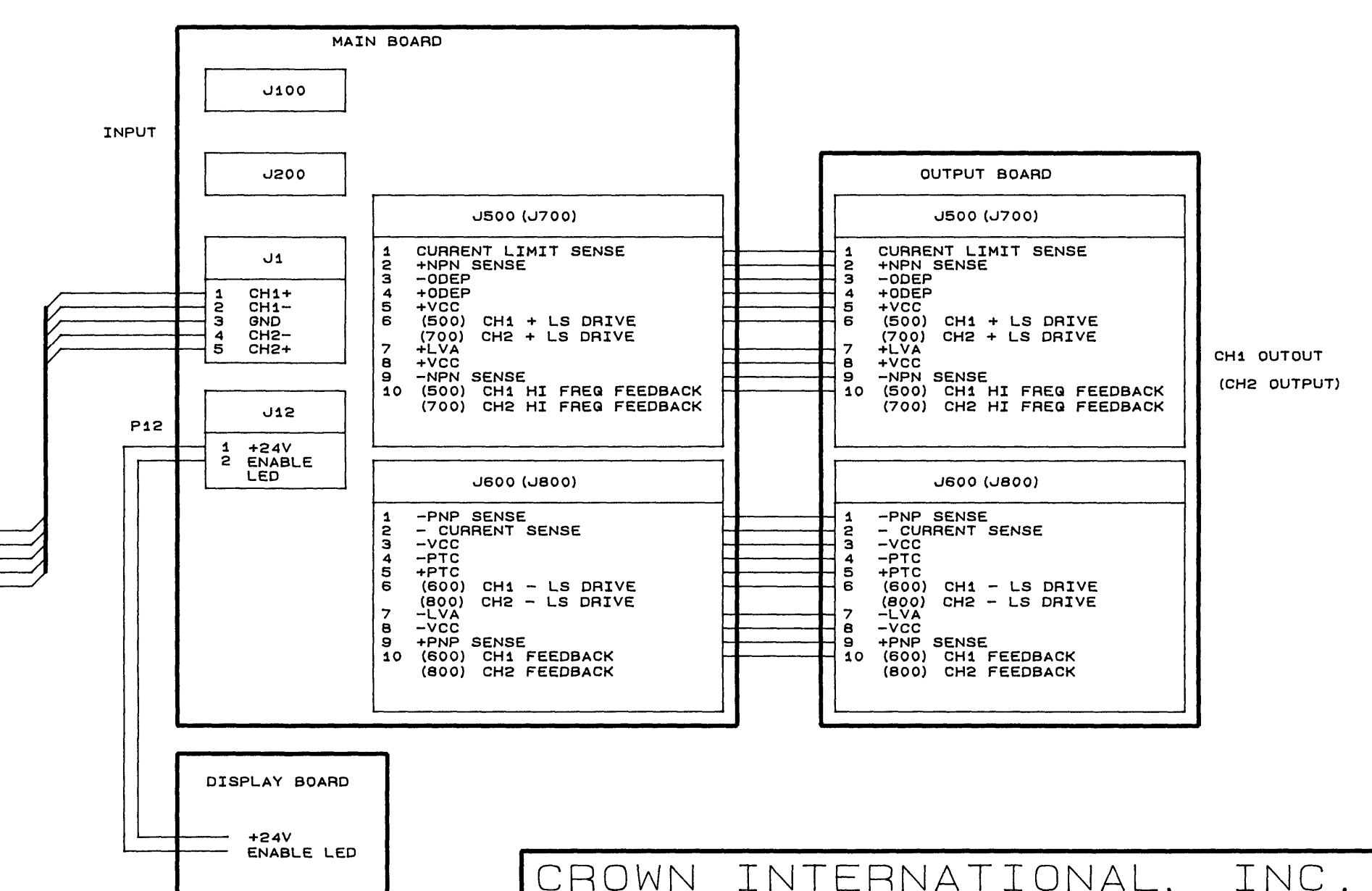
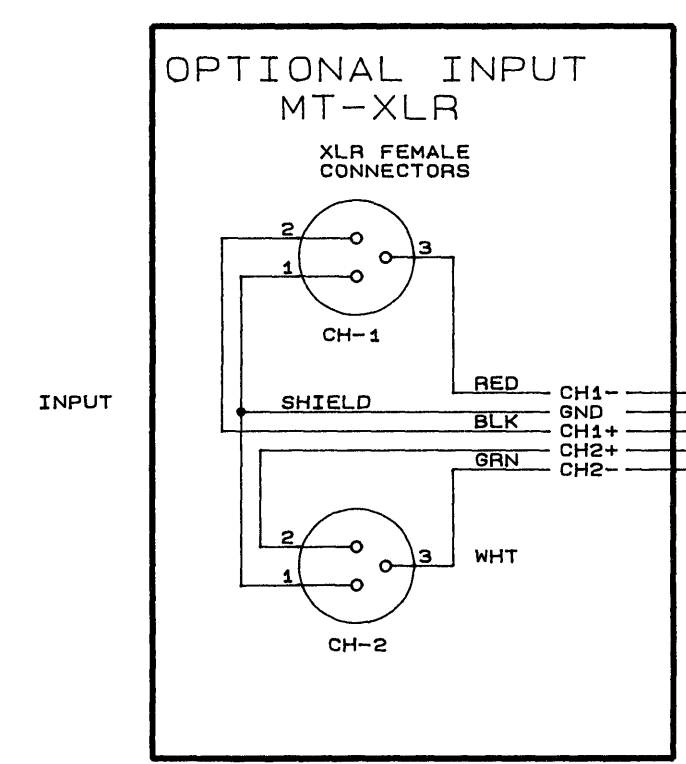
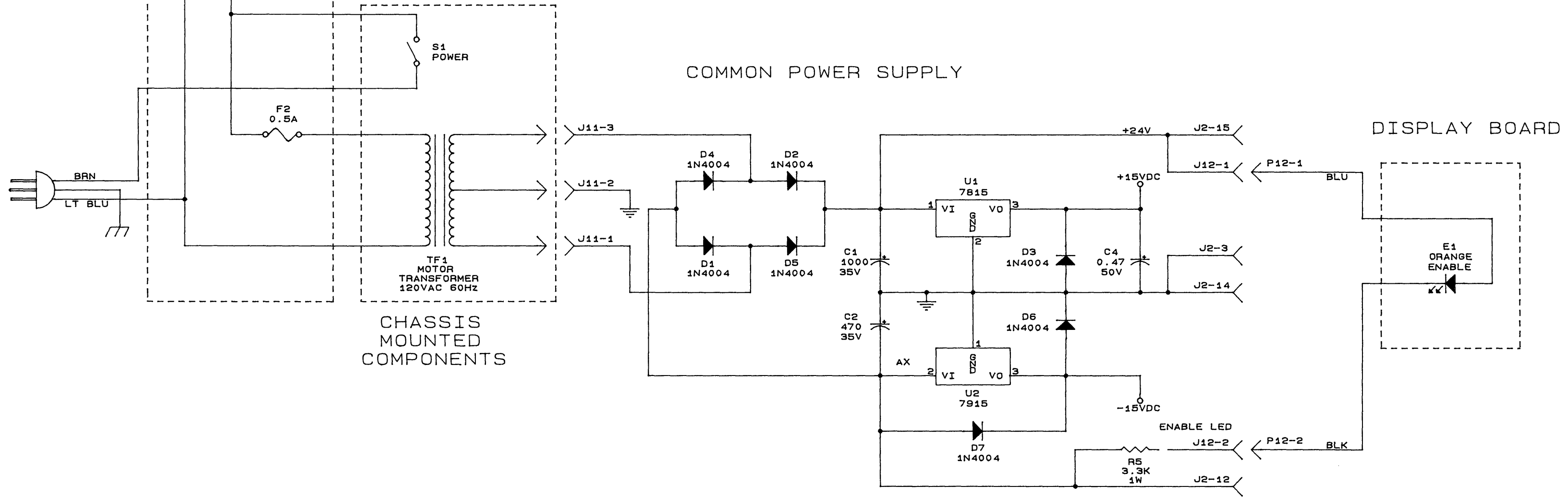
NOTES :

1. ALL RESISTORS ARE IN OHMS, 1/4W, 5% UNLESS OTHERWISE SPECIFIED.
2. ALL CAPACITORS ARE IN MICROFARADS UNLESS OTHERWISE SPECIFIED.
3. VALUES SELECTED AS NEEDED FOR DIFFERENT OP AMP CHARACTERISTICS.
4. CHANNEL 2 IS SHOWN ON SHEET 3. WHEN SHEET 3 IS NOT PRINTED, THEN FOR CHANNEL 2 ADD 100 TO REFERENCE DESIGNATORS. (EXAMPLE : CHANNEL 1 R101 WOULD BE CHANNEL 2 R201.) CONNECTOR AND IC PIN NUMBERS FOR CHANNEL 2 ARE SHOWN IN PARENTHESES WHEN THEY DIFFER FROM CHANNEL 1. EXCEPTIONS ARE CHAN 1 R2 CORRESPONDS TO CHAN 2 R3, CHAN 1 C5 CORRESPONDS TO CHAN 2 C6, CHAN 1 J500 CORRESPONDS TO CHAN 2 J700, AND CHAN 1 J600 CORRESPONDS TO CHAN 2 J800.
5. ALL DIODES ARE 1N4148 UNLESS OTHERWISE SPECIFIED.
6. ON J500 AND J700 THE STRIPED WIRE GOES TO PIN 10 OF THE BOARD AND THE PIN NUMBERS MOLDED ON THE CABLE SOCKET ARE REVERSED FROM THE PIN NUMBERS ON THE BOARD AND THE SCHEMATIC.
7. POWER SUPPLY VOLTAGES SHOWN UNDER NO LOAD/NO SIGNAL CONDITIONS.
8. CHANNEL 2 PRE-DRIVER BASES LOOP THROUGH STEREO-MONO SWITCH S100, SECTIONS E AND F.
9. T1 INCLUDES AN INTERNAL THERMAL SWITCH.
10. J2 IS LEFT EMPTY.
11. THIS SCHEMATIC APPLIES TO AMPLIFIERS USING MAIN BOARD D7883-5 / MODULE G43059-7 AND OUTPUT BOARD P10341-9 / MODULE G43015-9 OR OUTPUT BOARD P10397-1 / MODULE G43203-1
12. C148 IS 180pF AND C248 IS OPEN.



WIRING CONFIGURATIONS FOR SPECIFIC VOLTAGES

100V	120V	220V	240V
P10-P15	P10-P16	P10-P15	P10-P16
P11-P14	P11-P14	P9-P14	P9-P14
P7-P12	P7-P13	P8-P13	P8-P13



CROWN INTERNATIONAL, INC.  
1718 WEST MISHAWAKA ROAD ELKHART, IN. 46517 PHONE (219) 294-8000

SCHEM., PB1 & 460CSL

PRINTS TO	DRAWN	LCD	05/11/95	APPROVED BY :	DO NOT SCALE PRINT
	CHECKED			ME	SUPERSEDES
	SCALE	NONE		EE	E.C.N.
	PROJ #	D264		PE JM	06/07/95
	NEXT ASSEMBLY				C.P.N. SHEET 2 OF 2 REV J0694-0

INACTIVE  
For Reference Use Only  
Document Has Been Replaced  
with a Newer Version